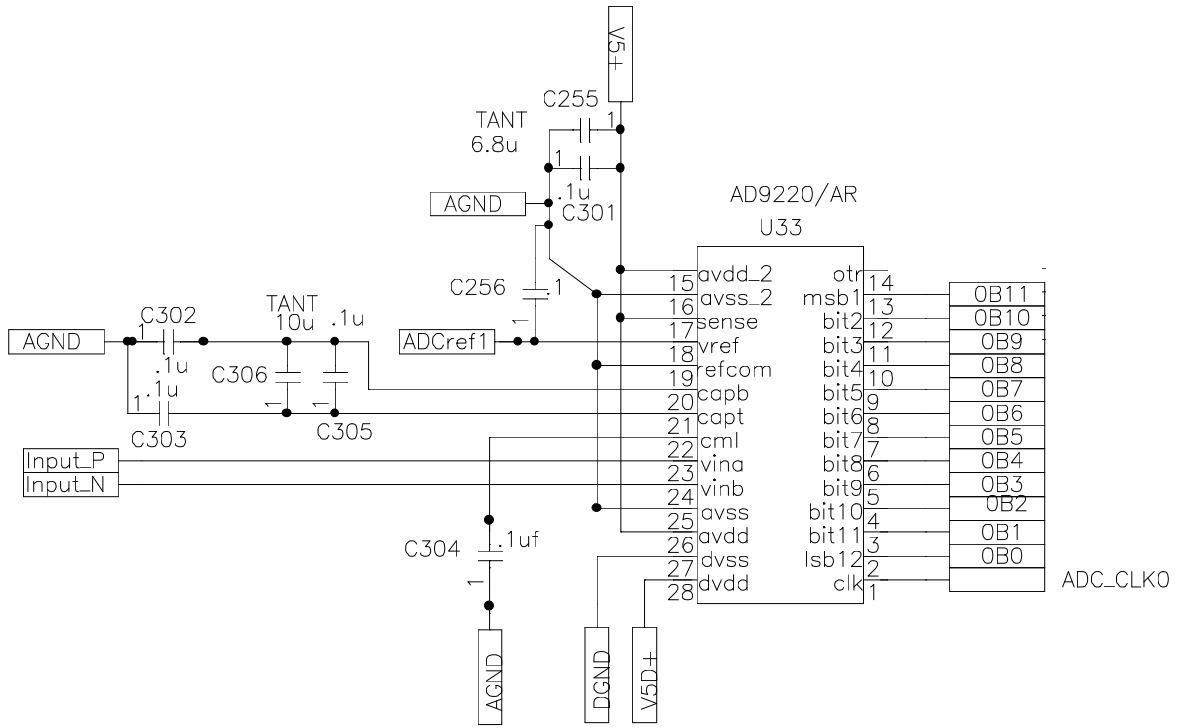


ADC 1 – section 1



Syracuse University
 Experimental High Energy Physics
 201 Physics Building
 Syracuse NY 13244

Revision: 0

ADC

12/11/11
 Silvio